



201C-1K SERIES LAMP HOUSING

Features

- Low Cost
- Turn Key Operation
- Collimated output
- Multiple Accessories



OVERVIEW

The 201C-1K series lamp housing is a modular lamp housing which allows you to custom build the lamp housing from a selection of light sources and collimating optics. The 201C-1K lamp housing is designed for 300W—1.6KW Xenon, Mercury-Xenon, and Mercury short arc lamps as well as 250W-1KW QTH lamps (sold separately) .

A variety of output port coupling accessories allows for the attachment of refractive or reflective collimating optics (sold separately).

A number of beam line options are available such as refractive condensing optics to refocus the output light into a very fine focal point for maximum brightness. This is ideal for fiber optic applications where the light needs to be condensed into a small entrance of a fiber bundle. Other beam line accessories available include filtering accessories and focus point accessories.

The arc lamp or QTH lamp is mounted in a vertical position. Radiation is collected from the side of the lamp. A back spherical reflector mounted on adjustable alignment pins redirects a significant amount of the lamps radiation to the front exit port increasing the amount of light collected and allowing for a more uniform beam.

The 201C-1K lamp housing includes a forced air-cooled fan mounted on the top panel of the lamp house. The fan draws air from vent holes in the bottom of the housing and exhausts it out the top.

[Browse Arc Lamp Sources on the Sciencetech Website](#)



1450 Global Drive, London, Ontario Canada, N6N 1R3
Phone: 519-644-0135 / Fax: 519-644-0136
E-mail: Sales@Sciencetech-Inc.com

www.sciencetech-inc.com

201C-1K SERIES ARC LAMP HOUSING

PRODUCT NUMBERING CONFIGURATION

First Number

Second Number

Third Number



Housing Model Options

Model Number	Description
201C—1K	Large Vertical lamp house

Lamp Assembly Options

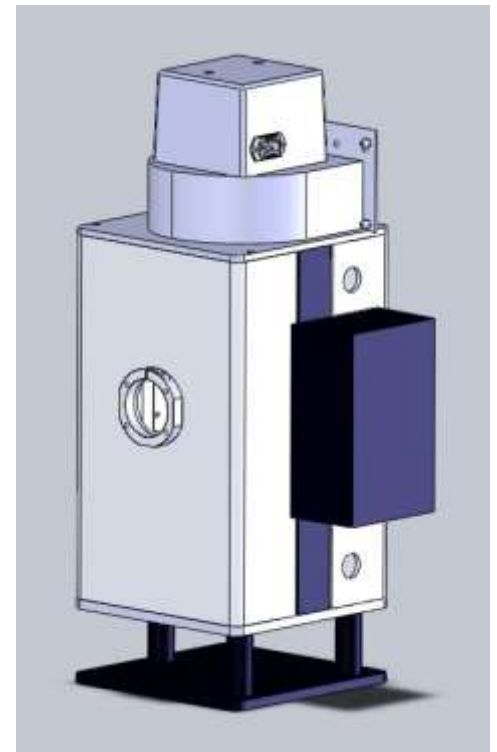
Model Number	Description
500X	500W Xenon Arc Lamp
1kX	1000W Xenon Arc Lamp
1.6kX	1600W Xenon Arc Lamp
250Q	250 W QTH
1kQ	1000W QTH
500H	500 W Hg Arc Lamp
500XH	500W Hg-Xe Arc Lamp

Blower Configuration

Model Number	Description
220V	210-230V Blower
120V	110-130V Blower

Ordering example: 201C-1K/500X/220V

Would be an order for a 201C-1K lamp house with a 500W Xenon arc lamp adapter and a blower that accepts 220V power.



SCIENCETECH

1450 Global Drive, London, Ontario Canada, N6N 1R3
Phone: 519-644-0135 / Fax: 519-644-0136
E-mail: Sales@Sciencetech-Inc.com

www.sciencetech-inc.com

COL6 COLLIMATING LENS ASSEMBLY OPTIONS

A variety of optical coupling options are available with Sciencetech's family of COL20 Collimating optics. To order see the table below. The optics come mounted in a 75mm long lens tube which can be coupled to other optical accessories. The optical assembly includes the required bracketing to attach to a 201C-1K lamp house

COL6 Collimating Lens Options				
Model	Aperture Ratio (F/#)	Standard Material	Spectral Range	Description
COL6A	1.5	Fused Quartz	230-2500nm	Single plano convex spherical lens
COL6B	1	Fused Quartz	230-2500nm	Two lens system (minimizes spherical aberration)
COL6C	0.6	BK7	360-2500nm	Aspheric system for maximum throughput and minimal spherical aberration with a 1 lens system
COL6D	0.7	Fused Quartz	230-2500nm	Three lens system optimized for best compensation of spherical aberration. Recommended for very high quality collimation,.

Diameter Switch Options		
Diameter Switch	Clear Aperture (mm)	Coupling Accessory Option Required
1	23	100
2	48	200

Special Switches Options	
-DUV	Synthetic fused silica for deep UV operation—not available with COL6C
-B	Can be used to change the material of options COL6A,B and D to BK7 material optics
-AR	Single layer MgF ₂ antireflection coating with thickness optimized for 550nm

Ordering example: COL6C2-AR

Would be an order for an aspheric lens system with anti reflection coating an F/# of 0.6, and would produce a collimated 50mm diameter beam. This coupling attaches to a 201C-1K lamp house.

MR6 COLLIMATING MIRROR ASSEMBLY OPTIONS

Sciencetech's family of MR6 collimating mirror options are off-axis parabolic mirror mounted in an housing that can be attached to any 201C-1K lamp housing with the OAP mounting accessory installed. The MR6 housing includes a three point adjustable kinematic mount with fine pitch threaded screws to optimize alignment

MR6 Collimating Mirror Options

Model	Aperture Ratio (F/#)	Clear Aperture (mm)	Reflective Surface	Spectral Range	Description
MR64	4	25	Protected Aluminum	360nm—Far IR	25mm diameter F/4 off-axis parabolic mirror with protected aluminum coating on a kinematic adjustable mount
MR62	2	50	Protected Aluminum	360nm—Far IR	50mm diameter F/2 off-axis parabolic mirror with protected aluminum coating on a kinematic adjustable mount

Special Switches Options

-G	Protected gold coating
-----------	------------------------

Ordering example: **MR64-G**

Would be an order for an F/4 off-axis parabolic mirror with protected gold coating and a 25mm clear aperture beam



SCIENCETECH

1450 Global Drive, London, Ontario Canada, N6N 1R3
 Phone: 519-644-0135 / Fax: 519-644-0136
 E-mail: Sales@Sciencetech-Inc.com

www.sciencetech-inc.com

201C-1K SERIES ARC LAMP HOUSING

STANDARD PACKAGES

Model	201C-1K 500W Package for 120VAC (100-9#####)	201C-1K 500W Package for 220VAC (100-9####)
Lamp House Model	201C-1K/500X/220V	201C-1K/500X/120V
Lamp Power	500W	500W
Lamp Type	Xenon Arc Lamp	Xenon Arc Lamp
Collimating Optics	Fused Quartz COL6A2	Fused Quartz COL6A2
Target Diameter (mm)	50	50
Collimation (>70% of power)	1 deg half angle	1 deg half angle
Center Beam Line Height (mm)	284	284
Applicable Power Supply Models (not included)	500-500 , 501-500	500-500 , 501-500
Dimensions (LxWxH)	216x216x600	216x216x600
Weight (kg) Without power supply	12.5	12.5
Blower Power Input	210-240VAC/ 50Hz	110-120VAC / 60Hz
Power Supply Input	110-115VAC/60 Hz or 220-240VAC/ 50Hz	110-115VAC/60 Hz or 220-240VAC/ 50Hz



SCIENCETECH

1450 Global Drive, London, Ontario Canada, N6N 1R3
Phone: 519-644-0135 / Fax: 519-644-0136
E-mail: Sales@Sciencetech-Inc.com

www.sciencetech-inc.com

OPTIONS AND ACCESSORIES

Model	Description
100-8010	One Position Filter Box for 2" (50mm) Filters - Uncooled
100-8011	One Position Filter Box for 1" (25mm) Filters – Uncooled
100-8012	One Position Filter Box for 3" (75mm) Filters - Uncooled
100-8013	Two Position Filter Box for 1" (25mm) Filters - Uncooled
100-8014	Two Position Filter Box for 3" (75mm) Filters - Uncooled
100-8046	Variable Focus Optical Assembly, 2" Diameter, BK7
100-8047	Variable Focus Optical Assembly, 2" Diameter, Fused Silica
160-9005	Beam Turning Assembly
100-8028	Fiber Bundle Coupler (Non-SMA Connector) - 1"
100-8029	Fiber Bundle Coupler (Non-SMA Connector) - 2"
100-8030	SMA Fiber Coupler - 2" Flange
100-8031	SMA Fiber Coupler - 1" Flange
Various	Optical Filters



[Browse all Filtering Options](#)

Contact for information on these other accessories or to discuss your custom requirements!

- ⇒ Cold mirror for beam turning assembly
- ⇒ Light intensity stabilizer
- ⇒ Replacement lamps

SCIENCETECH

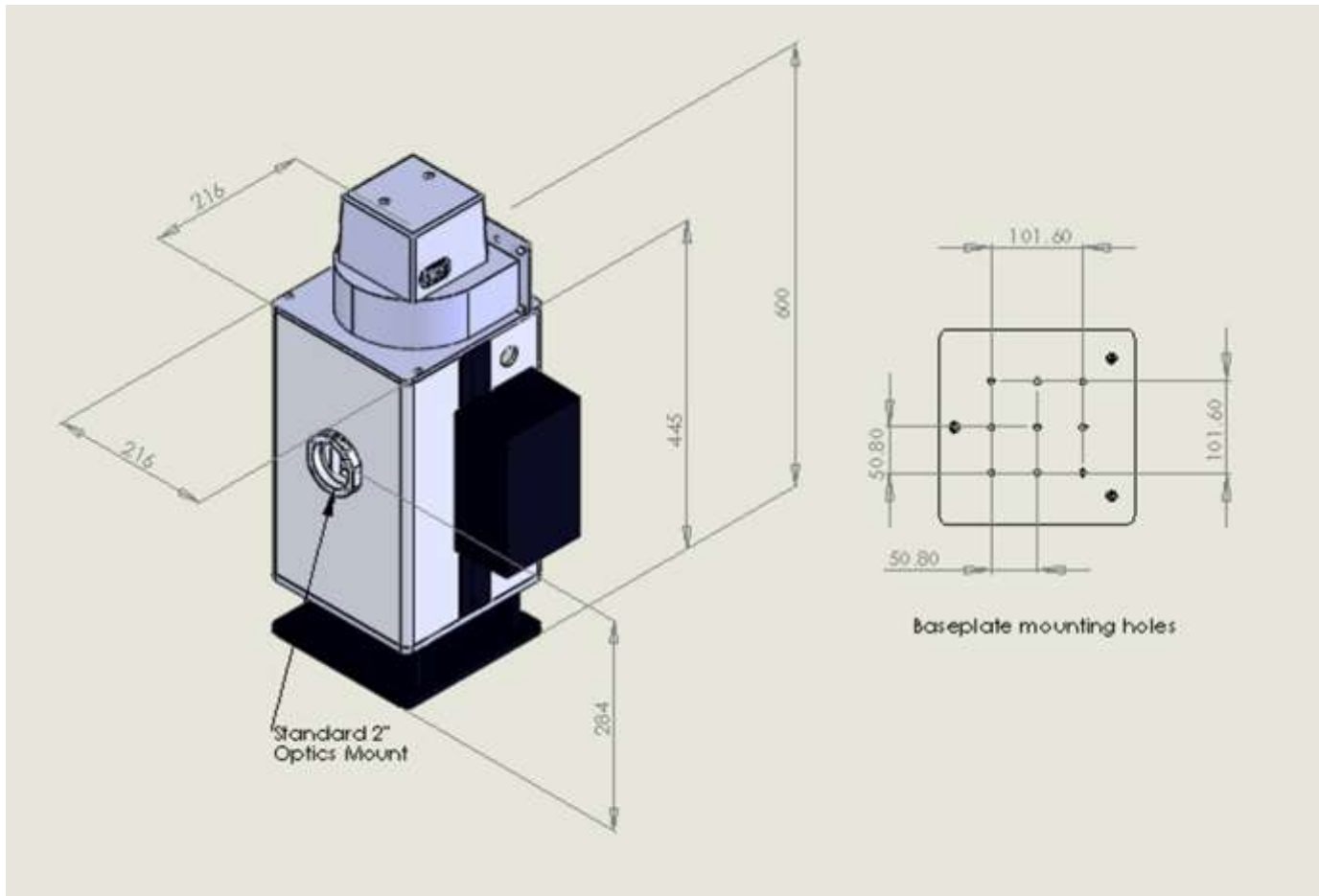
1450 Global Drive, London, Ontario Canada, N6N 1R3
Phone: 519-644-0135 / Fax: 519-644-0136
E-mail: Sales@Sciencetech-Inc.com

www.sciencetech-inc.com



201C-1K SERIES ARC LAMP HOUSING

DIMENSIONS



Dimensions

Dimensions	(mm)	(inch)
Length	216	8.5"
Width	216	8.5"
Height	600	23.6"
Optical Axis	284	11.18"
	(kg)	
Weight	12.5	

* 201C-100 shown with filter box and beam turning accessories (sold separately)

SCIENCETECH

1450 Global Drive, London, Ontario Canada, N6N 1R3
Phone: 519-644-0135 / Fax: 519-644-0136
E-mail: Sales@Sciencetech-Inc.com

www.sciencetech-inc.com